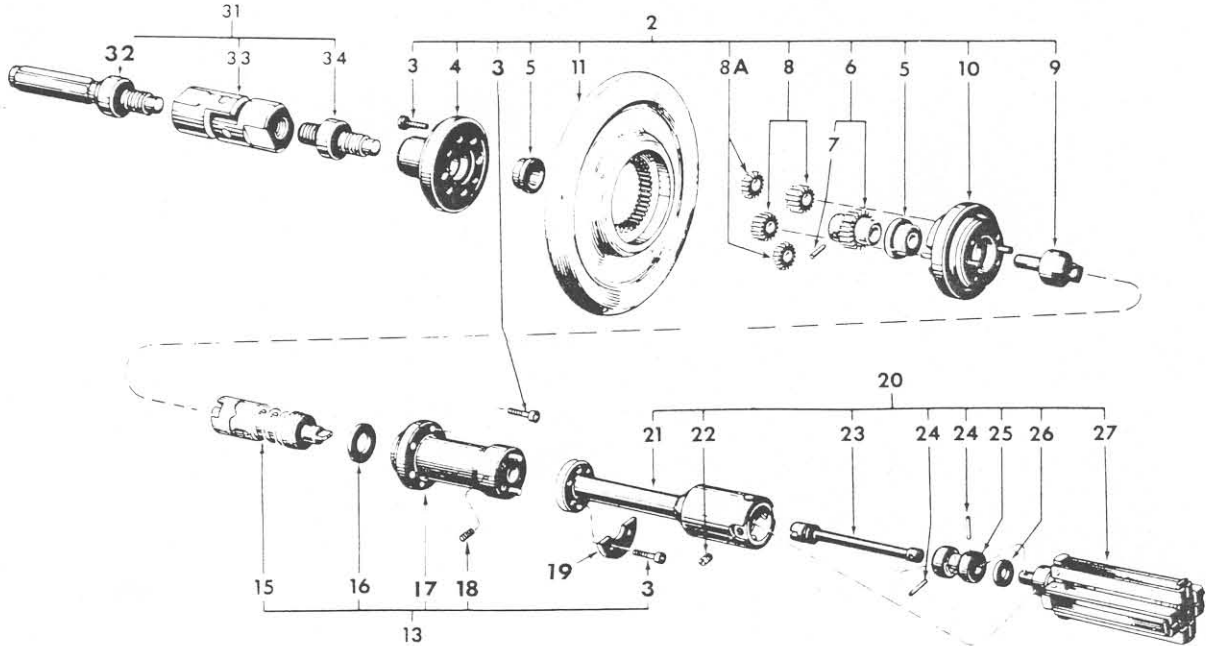




REPAIR PARTS — SNR-185 AND JNR-210

REMOTE FEED HONES



PLEASE ORDER BY "PART NO. AND DESCRIPTION" - NEVER BY "ITEM NO."

Item No.	Part No.	Description	Quantity Rec'd For	
			SNR-185*	JNR-210*
2	JNR-110A	UPPER FEED ASSEMBLY, consists of:	1	1
3	MSN-177A Screw (10-32 x 5/8 Soc. Hd. Cap) (Set of 4)	1 set	1 set
4	JNR-156A Drive Head & Reducer	1	1
5	ANR-117A Bearing (1" Dia. Nylon) (Set of 2)	1 set	1 set
6	ANR-135A Sun Gear (w/one Shear Pin)	1	1
7	ANR-142A Shear Pin (1/8 Dia. Brass) (1 Req'd- Sold 12 per pkg.)	1	1
8	ANR-144A* Gear (Set of 2)	1 set	1 set
8A	ANR-143A* Gear (Set of 2)	1 set	1 set
9	ANR-125A Feed Shaft Assembly	1	1
10	ANR-116A* Carriage Assembly with Dowel Pins	1	1
11	ANR-145A Hand Wheel Assembly with Gear	1	1
3	MSN-177A Screw (10-32 x 5/8 Soc. Hd. Cap) (Set of 4)	1 set	1 set
13	JNR-215A	FEED CLUTCH, consists of:	1	1
15	JNR-235A Clutch Assembly	1	1
16	JNR-132A Washer	1	1
17	JNR-231A Clutch Housing with	1	1
18	PHS-132A Set Screw (Special 8-32 x 3/8 Full Dog Pt.)	1	1
3	MSN-177A Screw (10-32 x 5/8 Soc. Hd. Cap) (Set of 4)	1 set	1 set
19	JNR-139A	GUIDE (Set of 2)	1 set	1 set

* Newer models of this tool are equipped with four planetary pinion gears, item 8 & 8A, rather than two, item 8, as originally supplied. For identification purposes, item 8 is .402 thick and item 8A is .125 thick.

If this tool is being used in production conditions & replacements are needed, the four pinion carrier ANR-116A & the four pinion gears are recommended.

To order replacement pinion gears for the two pinion carrier, specify ANR-144A (item 8).

To order replacement pinion gears for the four pinion carrier, specify ANR-144A (item 8) & ANR-143A (item 8A).

(over)

Item No.	Part No.	Description	Quantity Req'd For	
			SNR - 175**	JNR - 200*
20	SNR-80*	Remote Feed Hone Head	1	-
	JNR-85**	Remote Feed Hone Head	-	1
		Consists of		
21	JNR-165A	. Tube Assembly.	1	1
22	GGN-101A	. Universal Screw (Set of 2).	1 set	1 set
23	JNR-160A	. Feed Rod Assembly.	1	1
24	HF-20A	. Roll Pin (Set of 2).	1 set	1 set
25	JNR-150A	. Universal Joint Assembly.	1	1
26	JNR-149A	. Thrust Washer	1	1
27	JNR-140A	. Body Assembly.	-	1
	SNR-140A	. Body Assembly.	1	-
31	AN-70	Universal Joint Assembly	1	1
		Consists of		
32	AN-26A	. Drive Shank Assembly.	1	1
33	AN-655A	. Universal Joint.	1	1
34	AN-630A	. Extension Coupler.	1	1

* NOTE: The JNR-200 diameter range is 2.0" - 2.6". This can be extended downward to 1.75" by purchasing an SNR-80 Hone Head separately.

** NOTE: The SNR-175 diameter range is 1.75" - 2.0". This can be extended up to 2.6" by purchasing a JNR-85 Hone Head separately.

PRICES: Write for Industrial Bulletin No. 1110.