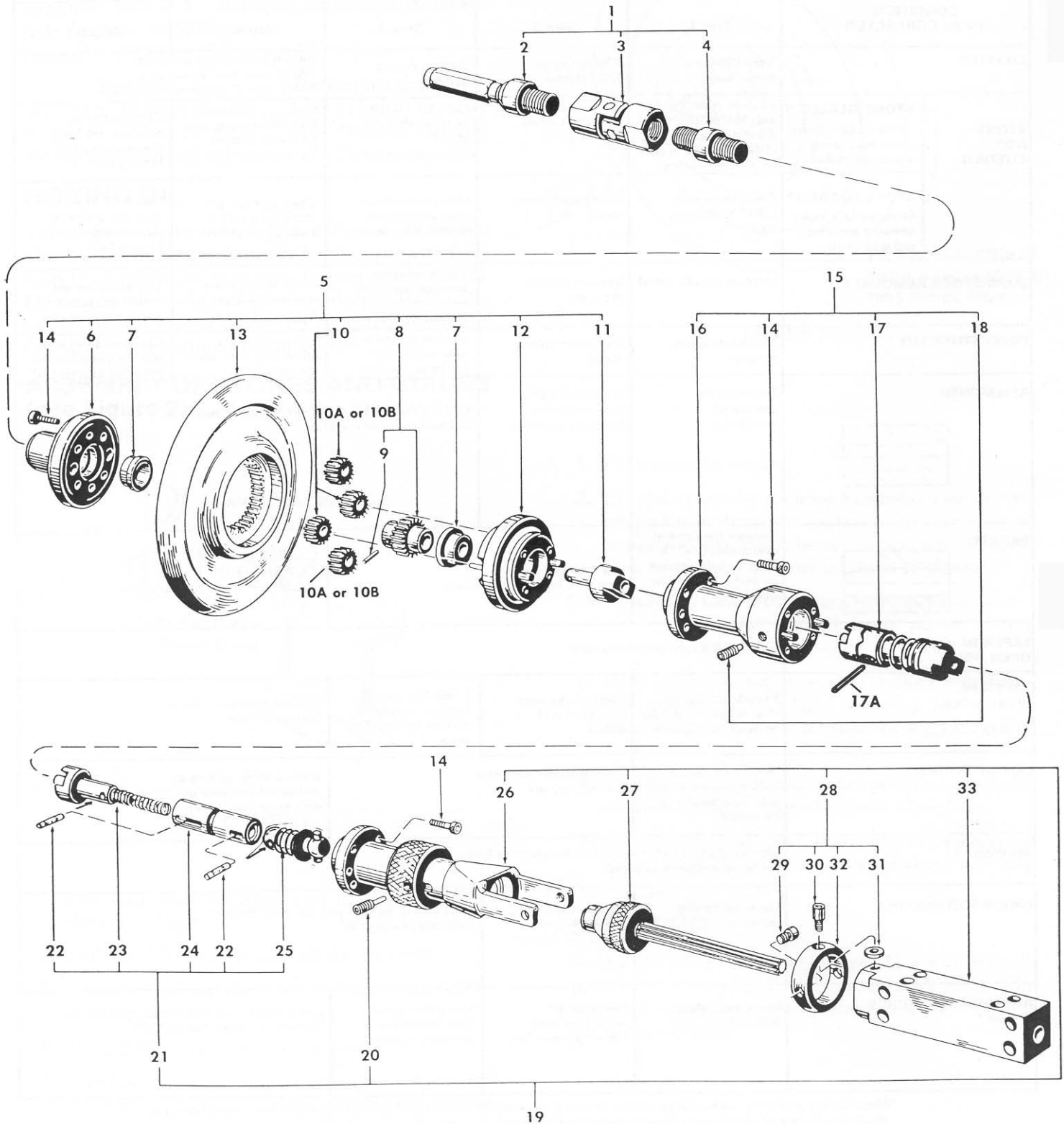


REPAIR PARTS LIST



REPAIR PARTS LIST (Continued)

ITEM NO.	ORDER BY PART NUMBER	QTY.	DESCRIPTION
1	AN-670	1	HEAVY DUTY UNIVERSAL JOINT ASSEMBLY , consists of the following:
2	AN-608A	1 Drive Shaft Assembly
3	AN-665A	1 Universal Joint
4	AN-640A	1 Extension Coupler
5	ANR-110A	1	UPPER FEED ASSEMBLY , consists of the following:
6	ANR-156A	1 Drive Head
7	ANR-117A	2 Bearings (1" Diameter Nylon) Pkg. of 2
8	ANR-135A	1 Sun Gear (with one Pin Item 9)
9	ANR-142C	1 Shear Pin (1/8" Dia. Steel, .610" length) Pkg. of 2
10	ANR-144A	2 Gears (Pkg. of 2) .402 Thick, .189 bore diameter
10A	ANR-143A	2 Gears (Pkg. of 2) .125 Thick, .251 bore diameter
10B	ANR-141A	2 Gears (Pkg. of 2) .402 Thick, .251 bore diameter
11	ANR-125A	1 Feed Shaft Assembly
12	ANR-116A	1 Carriage Assembly with Dowel Pins and Bearing
13	ANR-145A	1 Hand Wheel Assembly with Gear
14	MSN-177A	4 Screws (10-32 x 5/8" Socket Head Cap) Pkg. of 4
15	ANR-230A	1	FEED CLUTCH , consists of the following:
16	ANR-231A	1 Housing
14	MSN-177A	4 Screws (10-32 x 5/8" Socket Head Cap) Pkg. of 4
17	ANR-235A	1 Clutch Assembly with
17A	PHP-202A	1 Pin (1/8" Dia. Steel) Pkg. of 2
18	PHS-132A	1 Set Screw
Not Shown	KN-575A	1 5/32" Hex Key Wrench (5/32" Across Flats)
19	ANR-160A	1	HONE HEAD ASSEMBLY , consists of the following:
20	ANR-207A	2 Set Screws, Self-Locking (Pkg. of 2)
21	ANR-170A	1 *Inner Feed Assembly, consists of the following:
22	ANR-189A	2 *Drive Pin (3/16" Dia. Steel) Pkg. of 2
23	ANR-195A	1 *Feed Shaft End Assembly, Spring and Pin
24	ANR-176A	1 *Coupling
25	ANR-187A	1 *Ball Link Assembly
26	ANR-165A	1 *Drive Housing Assembly
27	ANR-210A	1 Pinion Adjustment Assembly
28	AN-620A	1	RING SET , consists of the following:
29	AN-621A	2 Screws (Pkg. of 2)
30	AN-624A	2 Screws (Pkg. of 2)
31	AN-623A	2 Spacers (Pkg. of 2)
32		1 Ring
33	AN-604	1 Body Assembly
14	MSN-177A	4 Screws (10-32 x 5/8" Socket Head Cap) Pkg. of 4

* The ANR-207A Set Screws (Item 20) are included with this part.
DO NOT reuse old screws for safety reasons.

NOTE: If you are frequently replacing gears (Item 10, 10A or 10B) and your carriage assembly (Item 12) does not use four gears of equal thickness, we recommend ordering a new ANR-116A Carriage Assembly which includes four gears of equal thickness